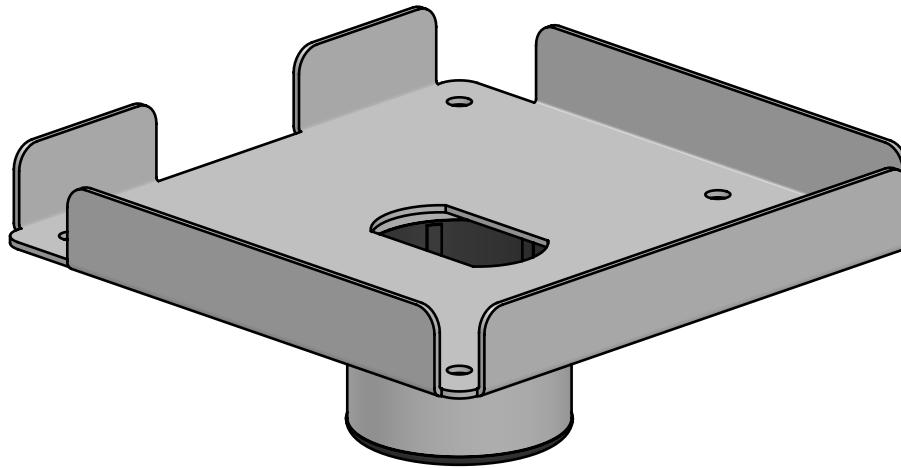

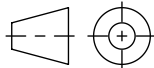


Rev.	Change	Date	Init.
A	Prototype approved and P/N issued	19-02-20	LVH



POS	PARTNUMBER	QTY.	DESCRIPTION
1	C4300152U	1	Printer plate for Epsom TM-M30
2	SP1-P22112-02	1	Plastic Anti-Wobble sleeve, SP1 long and black
3	M9915-0606-02	1	Grub screw M6x6mm with hex hole, black

<b>Description</b> Printer plate for Epsom TM-M30, with holes for securing the printer		<b>Category</b> Printer plates	<b>Weight</b> 0.38 kg	<b>Revision</b> A	
	<b>COPYRIGHT © ERGONOMIC SOLUTIONS 2021</b> <a href="http://www.ergonomic.solutions">www.ergonomic.solutions</a>		<b>Size: A4</b>	<b>Name</b>	
			<b>Drawn</b>	egn	24-10-2017
			<b>Last Update</b>	Dennis.Poulsen	23-06-2021
Unless otherwise specified tolerances according to ISO 2768-m All dimensions are in millimeters		 1st Angle Projection	<b>Drawing No</b>  <h1 style="margin: 0;">C4300152</h1>		