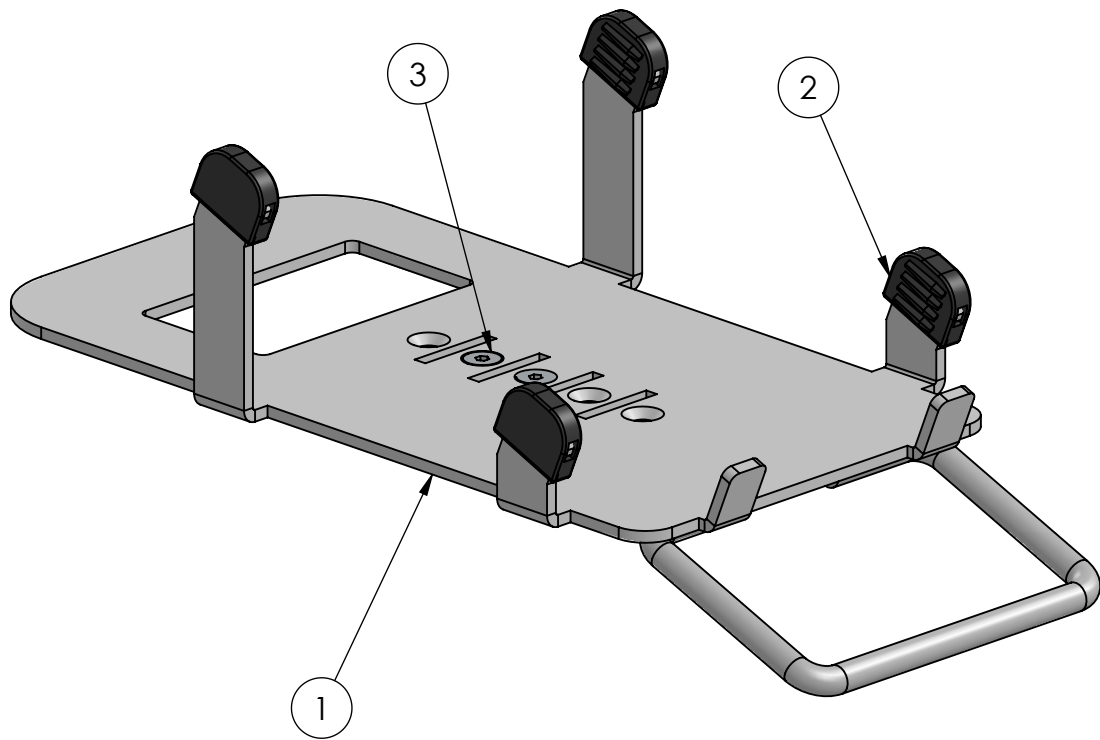

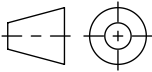


Rev.	Change	Date	Init.
A	Prototype approved and P/N issued	30-08-2023	EG



POS	PARTNUMBER	QTY.	DESCRIPTION
1		1	MultiGrip plate for CHERRY health ST1506 terminal
2		4	Rubberfriction pad, short
3		1	MultiGrip™ fixing

Description MultiGrip plate for CHERRY health ST1506 terminal	Weight 0.43 kg	Revision A
---	--------------------------	----------------------

	<p align="center">COPYRIGHT © ERGONOMIC SOLUTIONS 2023 www.ergonomic.solutions</p> <p>Unless otherwise specified tolerances according to ISO 2768-m All dimensions are in millimeters</p>	Size: A4	Name	Date
		Drawn	egn	09-08-2023
		Last Update	emil.gyldendal	30-08-2023
 <p>1st Angle Projection</p>		Drawing No SPQC-CHER1506-MH		