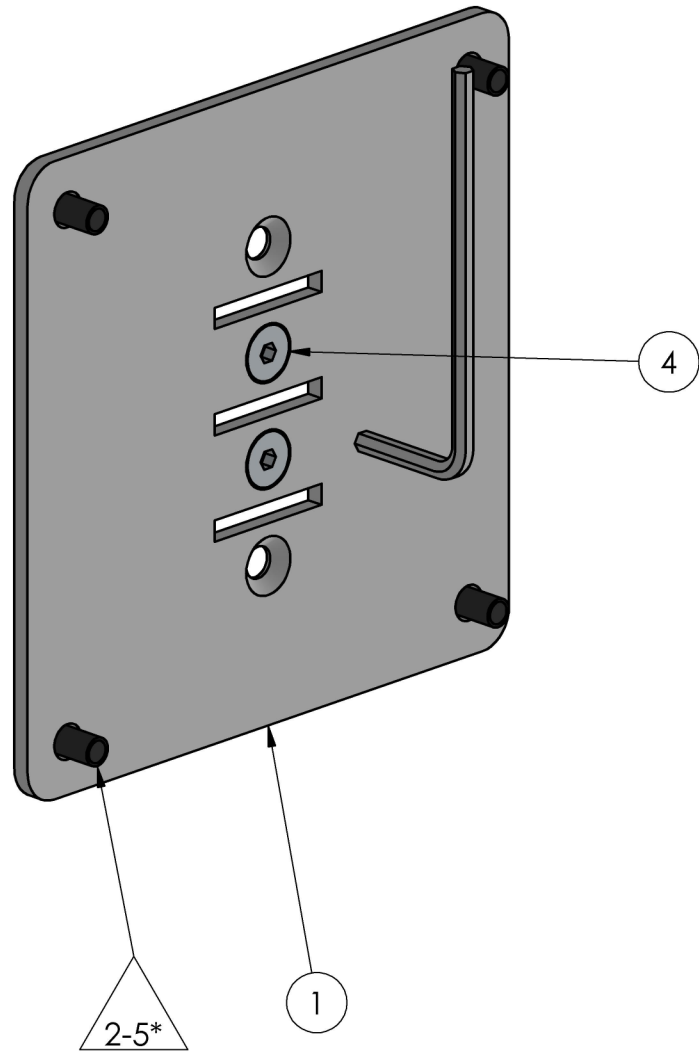

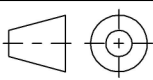


Rev	Change	Date	Int.
-----	--------	------	------



POS	PARTNUMBER	SPQC-MGV75	DESCRIPTION
1		1	VESA 75 plate for MultiGrip™
2		1	Fixing Pack with 4x M4x8mm machine screws, black
3		-	Fixing Pack with 4x M4x8mm machine screws
4		1	MultiGrip™ fixing
5		-	MultiGrip™ fixing for NonTilting Solution

<p>*SELECT VARIANT</p> <p>See triangular balloon & parts list</p>	<p>Description VESA 75 plate for MultiGrip™</p>		<p>Category</p>	<p>Weight 0.16 kg</p>	<p>Revision A</p>	
		<p>COPYRIGHT © ERGONOMIC SOLUTIONS 2020 www.ergonomic.solutions</p>		<p>Size: A4</p>	<p>Name pl</p>	<p>Date 29/09/2014</p>
		<p>Unless otherwise specified tolerances according to ISO 2768-m All dimensions are in millimeters</p>		 <p>1st Angle Projection</p>	<p>Last Update jeppe.pedersen</p>	<p>Date 27/01/2020</p>
				<p>Drawing No SPQC-MGV75</p>		