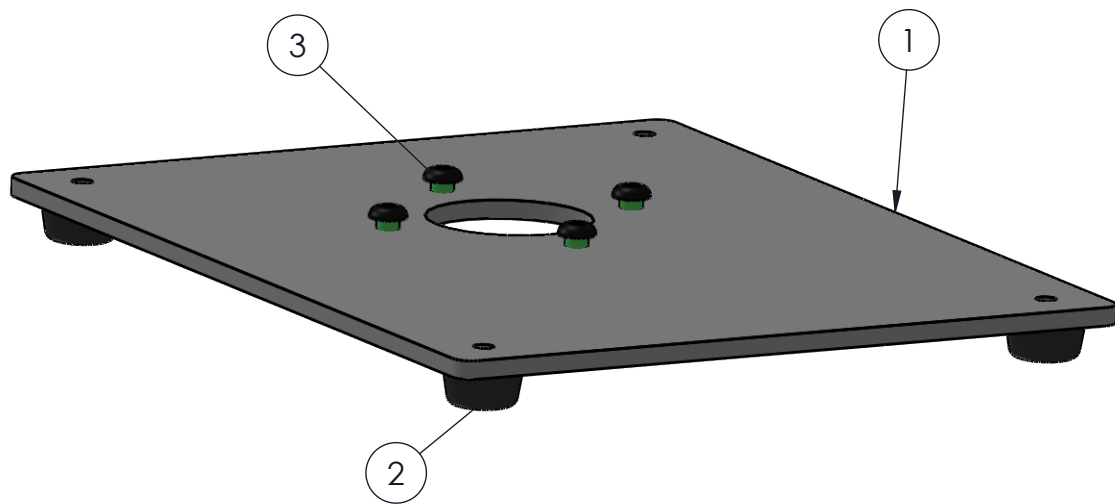

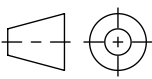


Rev.	Change	Date	Init.
A	Changed back to M6	06-02-2020	CW



POS	PARTNUMBER	QTY.	DESCRIPTION
1	CB00075U	1	Freestanding plate vectron (200 x 250)
2	M0000-5013-02	4	Non-friction rubber feet, 12x21mm_ M4, black
3	M9936-0608-02	8	Hex socket button head cap screw, M6x8mm, black

Description Freestanding plate vectron (200 x 250)		Category	Weight 2.02 kg	Revision C	
	COPYRIGHT © ERGONOMIC SOLUTIONS 2021 www.ergonomic.solutions		Size: A4	Name	
			Drawn	jp	Date
			Last Update	Dennis.Poulsen	22-06-2021
Unless otherwise specified tolerances according to ISO 2768-m All dimensions are in millimeters		 1st Angle Projection	Drawing No CB00075		