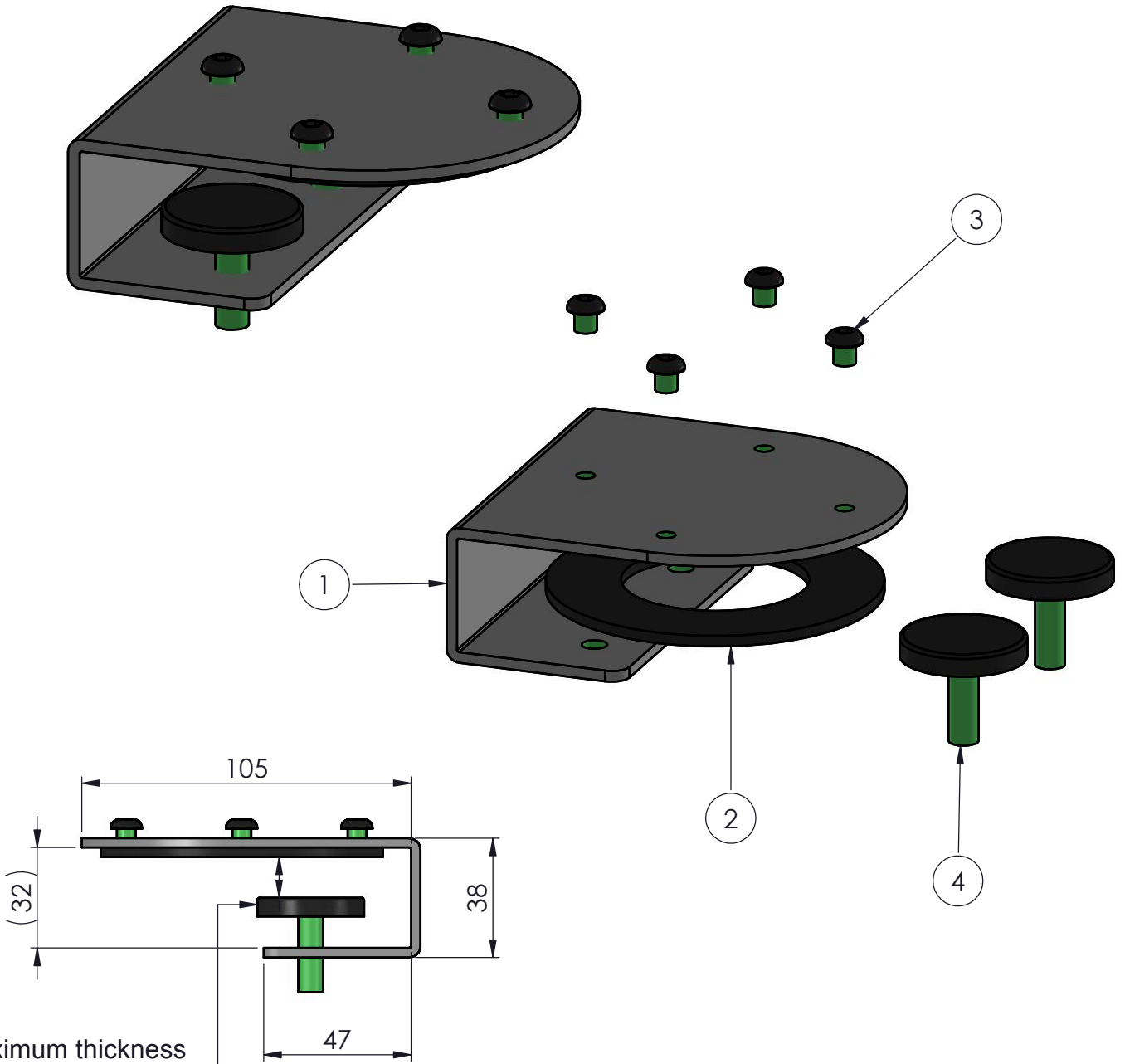



Rev	Change	Date	Int.
-----	--------	------	------



Maximum thickness of desk suitable for this clamp is 22mm

POS	PARTNUMBER	QTY.	DESCRIPTION
1	CB00083U	1	Bracket for Clamp (101x108x38mm)
2	P22151-02	1	Rubberfelt 3mm for Flange (FP Series)
3	M9936-0606-RAA	4	M6x6mm button headed screw, black
4	M7925-0830-02	2	Adjusting Screw, M8x30mm with BLACK cap

<b>Description</b> Bracket for Clamp (101x108x38mm)		<b>Category</b> Poles	<b>Weight</b> 0.60 kg	<b>Revision</b> A
 <b>ergonomic solutions</b>	<b>COPYRIGHT © ERGONOMIC SOLUTIONS 2014</b> <b>www.ergonomic-solutions.net</b>		<b>Size:</b> A4	<b>Name</b>
			<b>Drawn</b>	pl
<small>Unless otherwise specified tolerances according to ISO 2768-m All dimensions are in millimeters</small>		<b>Last Update</b>	pl	17-11-2014
		<b>Drawing No</b>		<b>CB00083</b>