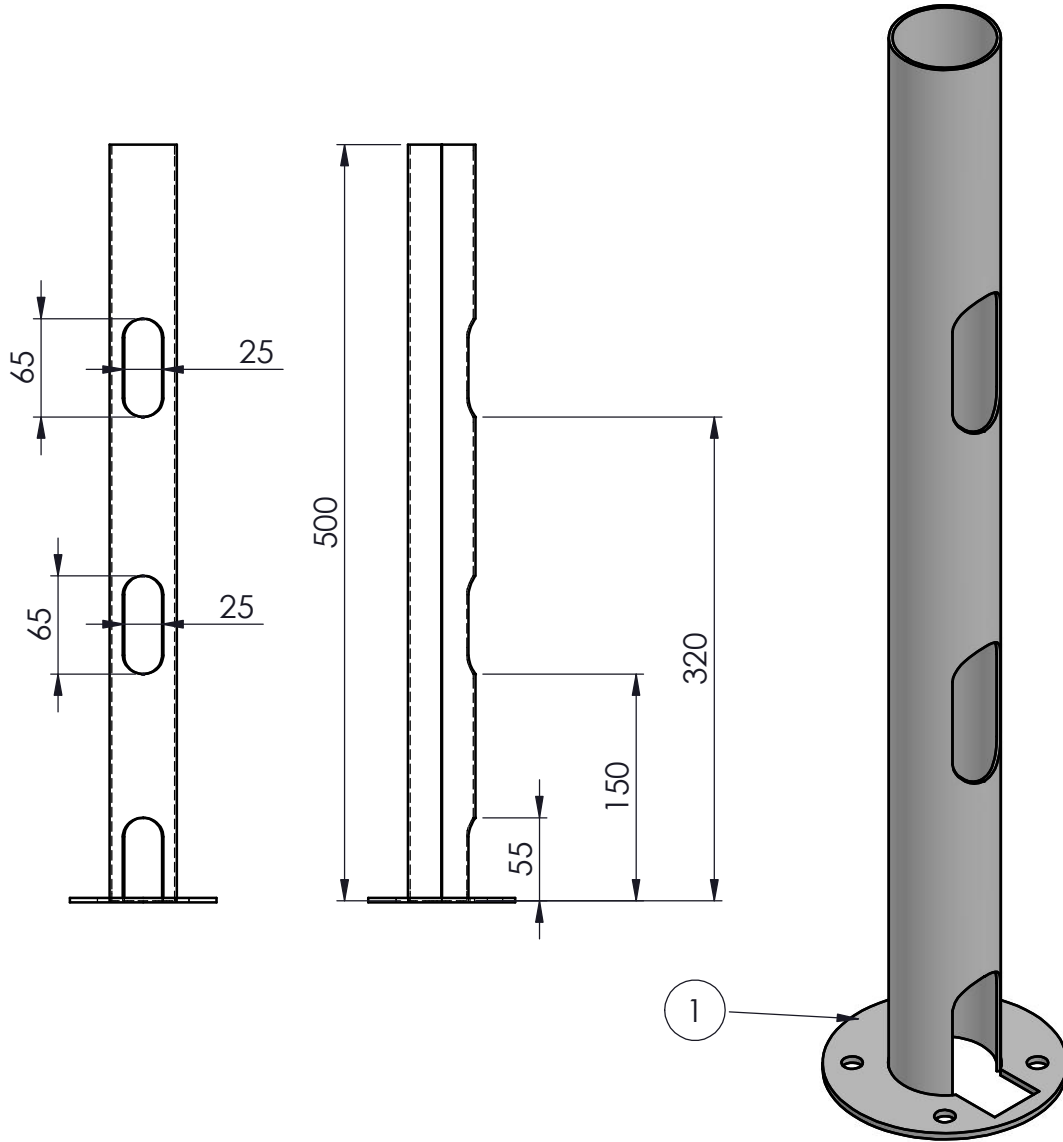



Rev	Change	Date	Int.
A	Approved from proto 7833	08-09-15	CW



POS	PARTNUMBER	QTY.	DESCRIPTION
1	SP2-C100579U	1	SP2 pole 500mm w/snikey flange, Bottom and 2 x Middle cable slot

Description SP2 pole 500mm w/snikey flange, Bottom and 2 x Middle cable slot		Category Poles -	Weight 0.86 kg	Revision A
 ergonomic solutions	COPYRIGHT © ERGONOMIC SOLUTIONS 2013 www.ergonomic-solutions.net	Size: A4	Name jp	Date 29-01-2014
		Drawn	Last Update cw	08-09-2015
Unless otherwise specified tolerances according to ISO 2768-m All dimensions are in millimeters		Drawing No SP2-C100579		