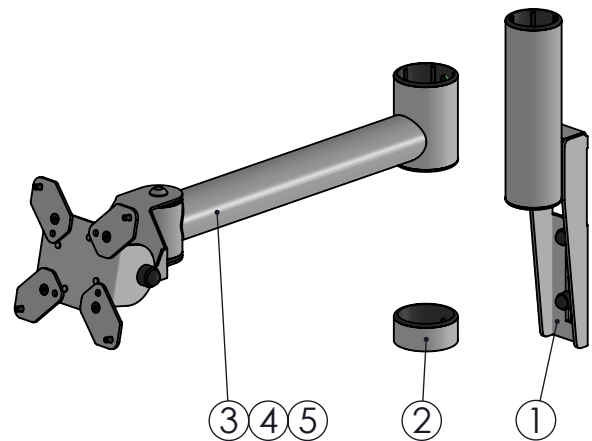
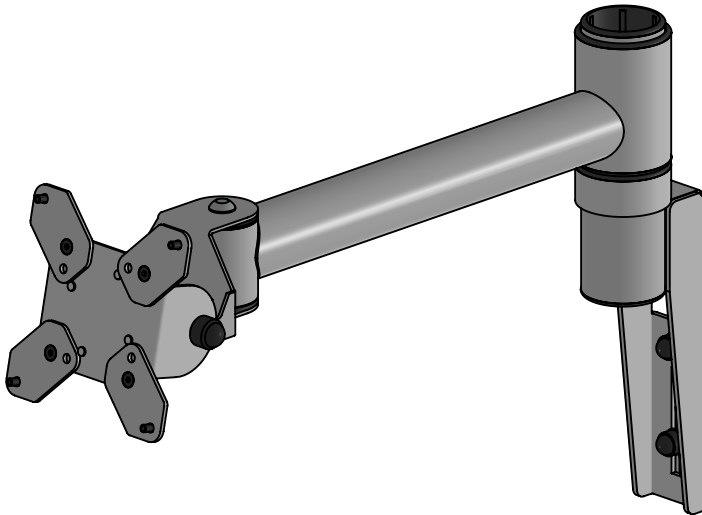


SPVWD103-nn

Rack mount with 300mm swing arm & adjustable VESA 75/100

Version: 1.0



POS	PARTS LIST	QTY.	DESCRIPTION	BOX
1	SP2-C100548	1	SP2 Rack Mount	
2	SP2-21210_S3	1	Lock Ring, SP2	
3	SP2-2102-0300_S3	1	Swingarm, SP2, Fixed 300mm w/44mm end pole.	
4	7301	1	Connection for Keyboard (horiz. rotation)	
5	4118081_S6	1	Adjustable VESA 75/100	
	B003	1	Packaging - box size 30x40x12cm	
	MK15-0026	1	Spacepole® Essentials product label	

ADDITIONAL INFO:

QTY. of configs in master box: 1

Item Weight: 2.05 kg

Pallet Capacity: 96 items (B003)

Colour: nn 01 = Light Grey 02 = Black 03 = Silver 04 = Pearl 05 = Iron Grey 32 = White